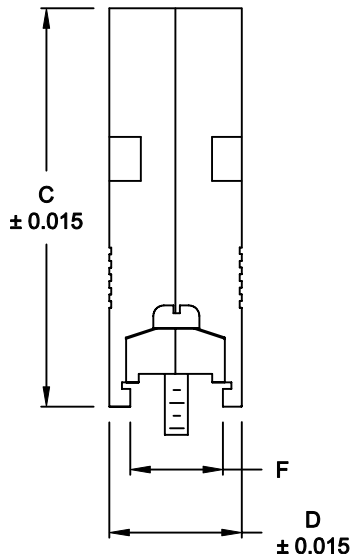
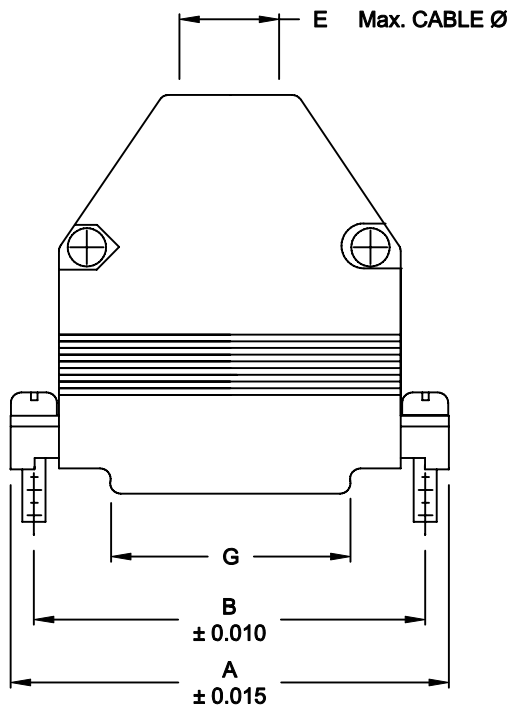


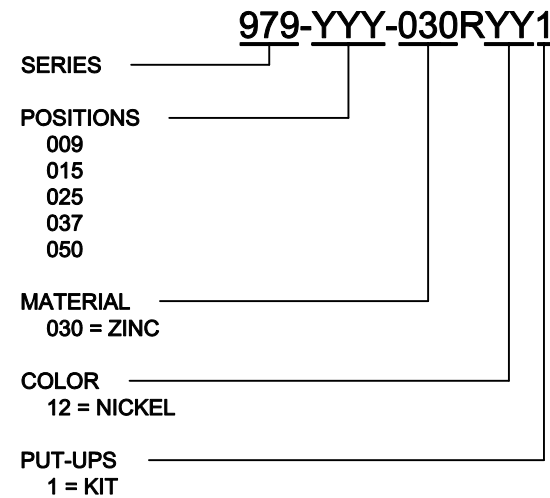
DESCRIPTION: 979 SERIES D-SUB BACKSHELL

BACKSHELL KIT INCLUDES:

- (2) BACKSHELL HALVES
- (2) 4-40 MATING SCREW
- (2) SADDLE WASHERS
- (2) HOUSING SCREWS
- (2) HOUSING NUTS
- (1) GROMMET TREE - VARIOUS SIZES
(NON-CONDUCTIVE GROMMETS)



DIMENSIONS (IN.)							
No. OF PINS	A	B	C	D	E	F	G
9	1.225	0.984	1.900	0.630	0.415	0.410	0.323
	31.12	24.99	48.26	16.00	10.54	10.41	8.20
15	1.553	1.312	1.900	0.630	0.415		
	39.44	33.32	48.26	16.00	10.54		
25	2.100	1.852	1.900	0.630	0.415	0.390	1.178
	53.34	47.04	48.26	16.00	10.54	9.91	29.92
37	2.730	2.500	1.900	0.630	0.620		
	69.34	63.50	48.26	16.00	15.74		
50	2.640	2.406	1.900	0.770	0.730		
	67.06	61.11	48.26	19.56	18.54		



RoHS COMPLIANT

MATERIAL: DIE-CAST ZINC ALLOY
PLATING: NICKEL

	THESE DRAWINGS AND SPECIFICATIONS ARE THE PROPERTY OF NorComp AND SHALL NOT BE REPRODUCED, COPIED OR USED AS THE BASIS FOR THE MANUFACTURE OR SALE OF APPARATUS WITHOUT WRITTEN PERMISSION.		DRAWN: PAM JENKINS	DATE: 6-10-05
	<h1>NorComp</h1>			CHECKED:
SCALE				SHEET OF
			DWG NO.	979 -YYY-030R121